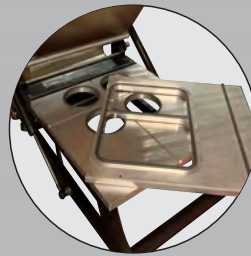


THE PLATINUM PACKAGING GROUP

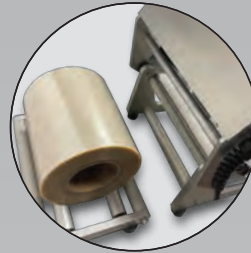
PLAT*Machinery* Table Top Tray Sealers



SV 300 R /SV 300 L



*SV 300 includes a
Gasketed ½" Thick Carrier*



*Free Standing Film Holder
For Easier Tracking*

◆ **Suitable for many foods**



THE PLATINUM PACKAGING GROUP

tel: (562) 630-6700 • fax: (562) 630-6716
7627 Somerset Blvd., Paramount, CA 90723

TO PLACE ORDERS:
sales@platinumpkggroup.com

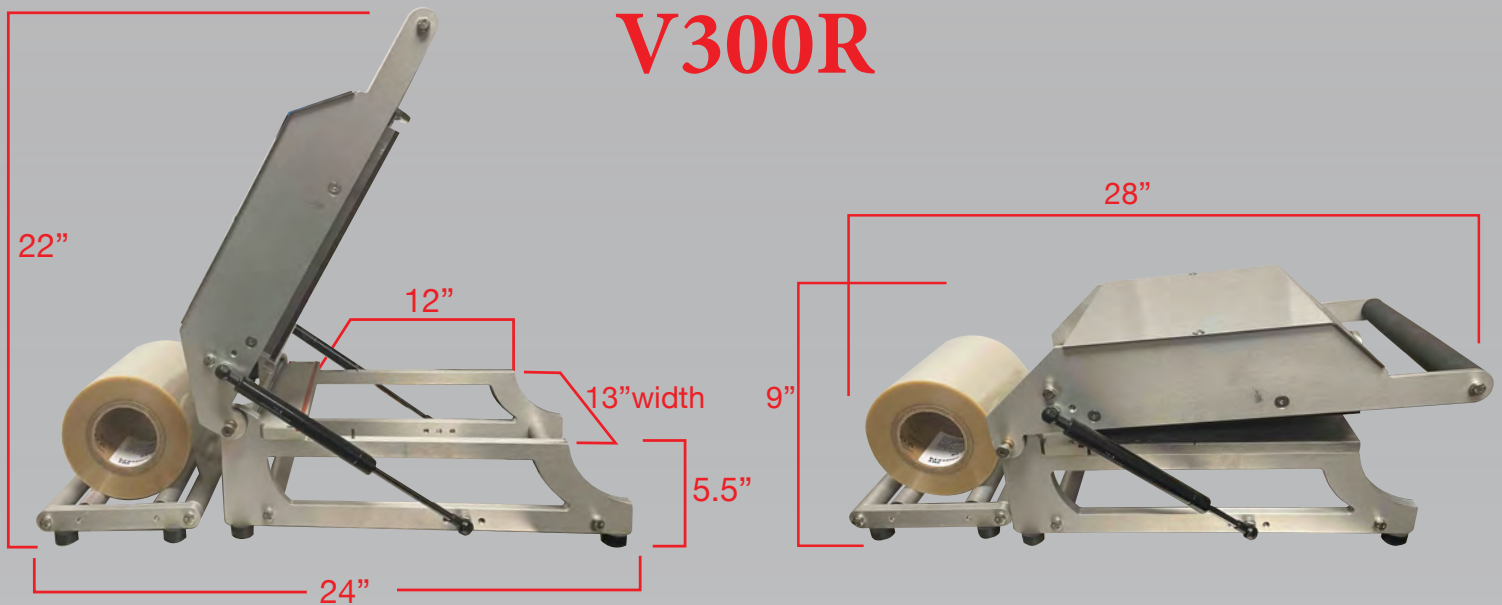
FOR MORE INFORMATION:
www.platinumpkggroup.com

QUESTIONS:
information@platinumpkggroup.com

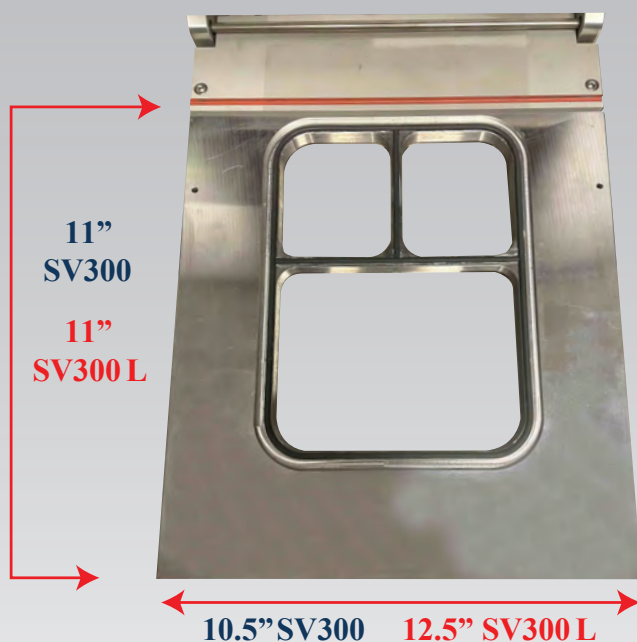
THE PLATINUM PACKAGING GROUP

PLAT*Machinery* Table Top Tray Sealers

◆ Model Description



◆ How to choose the machine model according to the sample



- Model: **SV300 / SV300 L (+ 5" Length / + 3" Width)**
- Max tray Length: **SV300 10.5" x 11" SV300 L 12.5" x 11"**
- Cycle Time: **1 to 2 seconds**
- Voltage: **AC 110V**
- Weight: **37lbs / SV300 L 50 lbs**
- Max Film diameter: **SV300 7" / SV300 L 11.5"**

THE PLATINUM PACKAGING GROUP

tel: (562) 630-6700 • fax: (562) 630-6716
7627 Somerset Blvd., Paramount, CA 90723

TO PLACE ORDERS:
sales@platinumpkggroup.com

FOR MORE INFORMATION:
www.platinumpkggroup.com

QUESTIONS:
information@platinumpkggroup.com

THE PLATINUM PACKAGING GROUP

PLAT*Machinery* Table Top Tray Sealers

◆ Sealing film matching

Type of sealing film	Heat seal film classification		sealing film sensor
	Dual Ovenable PLATSEAL GPG	✓	Manual
	Heatable HSPET 6	✓	Manual
	Laminated PLATSEAL EVA PEELABLE	✓	Manual
	Laminated PLATSEAL NON PEEL	✓	Manual
	Refrigerated Lidding GPG/HSPET6 H	✓	Manual
	Laminated HPP Line	✓	Manual



THE PLATINUM PACKAGING GROUP

tel: (562) 630-6700 • fax: (562) 630-6716
7627 Somerset Blvd., Paramount, CA 90723

TO PLACE ORDERS:
sales@platinumpkggroup.com

FOR MORE INFORMATION:
www.platinumpkggroup.com

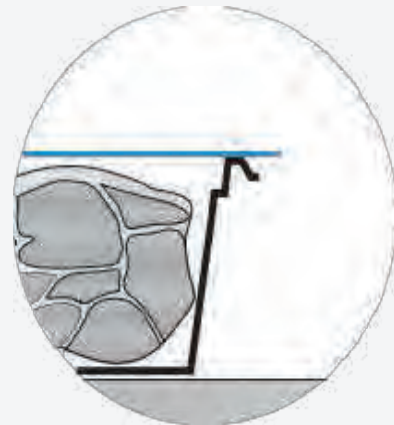
QUESTIONS:
information@platinumpkggroup.com

THE PLATINUM PACKAGING GROUP

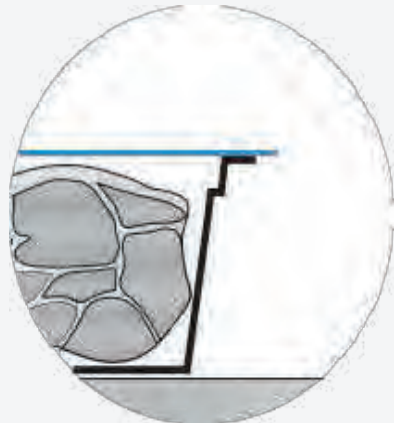
PLAT*Machinery* Table Top Tray Sealers

◆ Incision shape and size

· The sealing film will fit tightly to the sample box due to the high temperature.



· The edge of the slit of the parafilm is 5 mm larger than the edge of the sample box.



THE PLATINUM PACKAGING GROUP

tel: (562) 630-6700 • fax: (562) 630-6716
7627 Somerset Blvd., Paramount, CA 90723

TO PLACE ORDERS:
sales@platinumpkggroup.com

FOR MORE INFORMATION:
www.platinumpkggroup.com

QUESTIONS:
information@platinumpkggroup.com